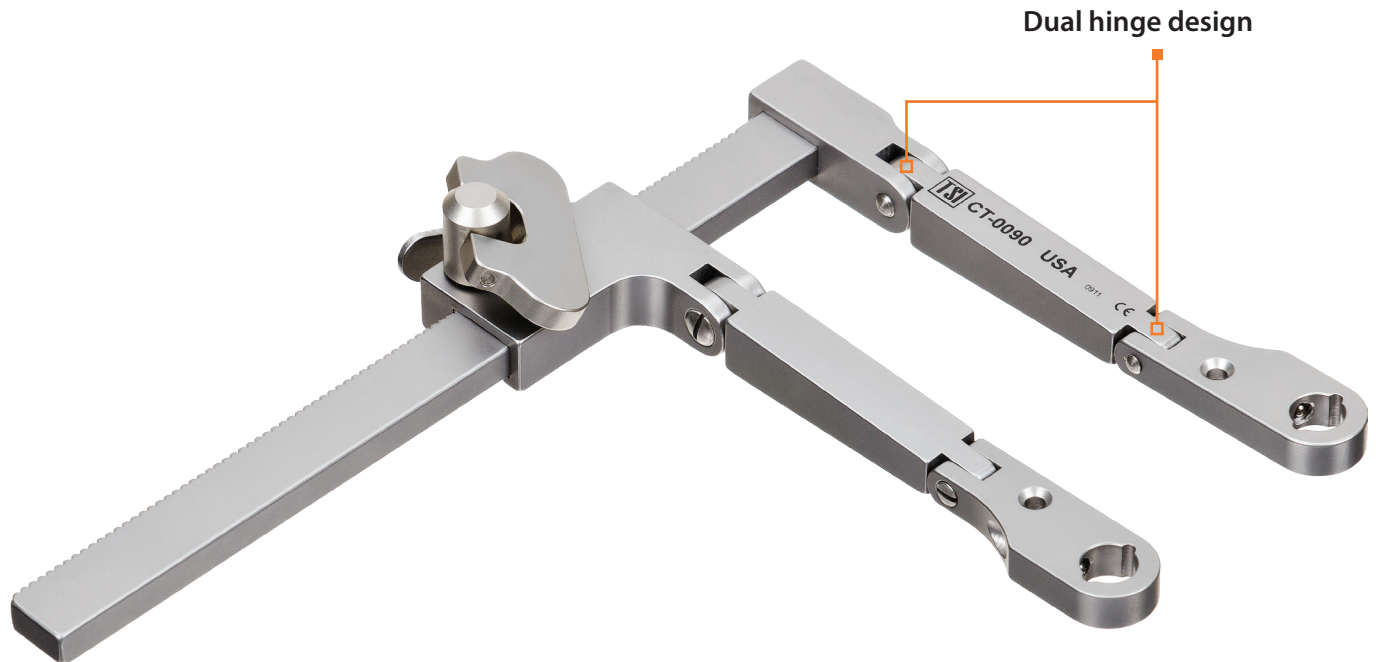


ULTRAVISION™ RIGID RETRACTOR BODIES

TSI – THE GLOBAL LEADER IN RETRACTORS FOR
SURGICAL ACCESS

TSI

**TeDan Surgical
Innovations**



UltraVision™ Rigid Retractor Body

CT-0090 – 150 mm Rack Length

CT-0092 – 200 mm Rack Length

- Precision opening
- Dual hinge design conforms to patient anatomy
- Compatible with all TSI CT retractor blades
 - TSI offers the widest variety of retractor blade sizes
- Backed by TSI lifetime warranty



Shown with anatomically conforming blades